

Y type strainers

Flanged ends



Features

BVALVE introduces its new Y type strainers which stop pipelines and equipment from blockage through the filtering of foreign matter which tends to build up in pipelines, such as solids or contaminants. They are therefore used to avoid expensive shut downs and to secure pumps suction inlet, valves and pipeline equipment from damaging.

Typical Applications

These may be applied on processes containing steam, thermal oil, water, hot water, compressed air, chemical fluids and LPG among others.

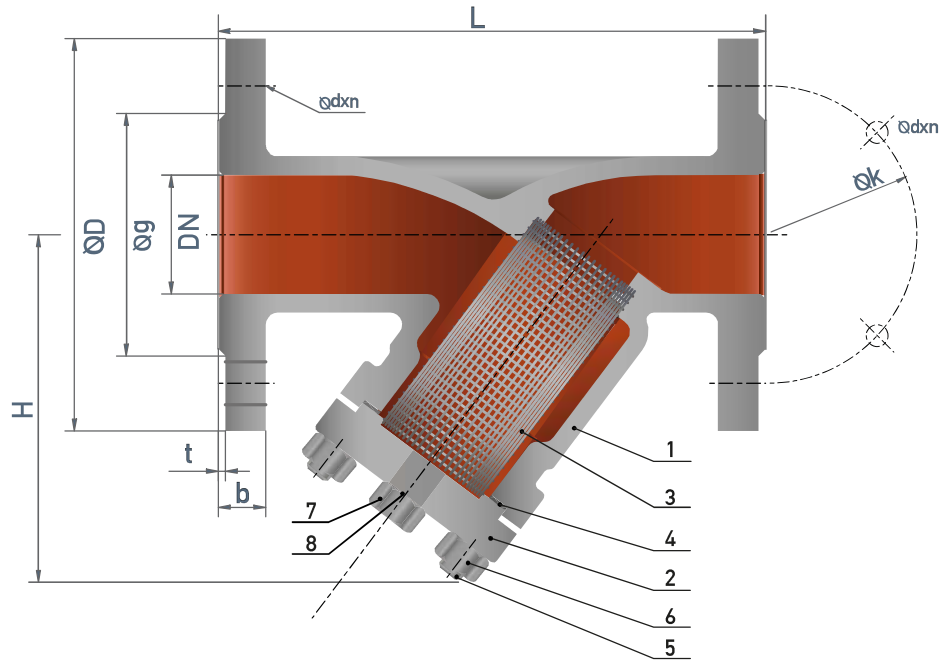
Specifications

Size:	DN15-DN300	Connections:	Flanges DIN EN 1092-B1
Body / bonnet:	Carbon Steel DIN 17245 GS-C25 / 1.0619	Design:	EN 12916
Screen:	AISI 316 / 1.4401	Working Conditions:	EN 1092-1 (-10 °C / 400 °C)
Gasket:	Graphite	Face to Face:	EN 558-1
Studs and nuts:	ASTM A193 B7 / 194-2H	Test:	EN 12266-1

BV12065 | PN40 EN 1092-1

Carbon steel

Temperature min. -10°C
Temperature max. +400°C



N°	COMPONENT	MATERIALS
1	Body	DIN 17245 GS-C25 / 1.0619
2	Bonnet	DIN 17245 GS-C25 / 1.0619
3	Screen	AISI 316 / 1.4401
4	Gasket	Graphite + Stainless Steel 16
5	Stud	ASTM A193 B7
6	Nut	ASTM A193 B7
7	Drain Plug	ASTM A105
8	Gasket	Graphite + Stainless Steel 316

DN / Size	Mesh (mm.)
15 - 50	1
65 - 80	1,25
100 - 300	1,60
DN200 - DN300 screens are with supporting basket	

Dimensions

DN / Size	15	20	25	32	40	50	65	80	100	125	150	200	250	300
L	130	150	160	180	200	230	290	310	350	400	480	600	730	850
H	97	98	108	113	138	147	170	204	240	288	334	380	452	600
ØD	95	105	115	140	150	165	185	200	235	270	300	375	450	515
Øk	65	75	85	100	110	125	145	160	190	220	250	320	385	450
b	16	18	18	18	18	20	22	24	24	26	28	34	38	42
dxn	14x4	14x4	14x4	18x4	18x4	18x4	18x8	18x8	22x8	26x8	26x8	30x12	33x12	33x16
Weight (Kg)	2,8	3,7	5,1	6,7	9,1	11,4	16,4	22,5	33	47,2	66,3	139	237	341
Øg	45	58	68	78	88	102	122	138	162	188	218	285	345	410
t	2	2	2	2	3	3	3	3	3	3	3	3	3	4

WORKING CONDITIONS

Temperature °C	-10/120	150	200	250	300	300	400
Pressure Bar	40	35,2	33,3	30,4	27,6	25,7	23,8